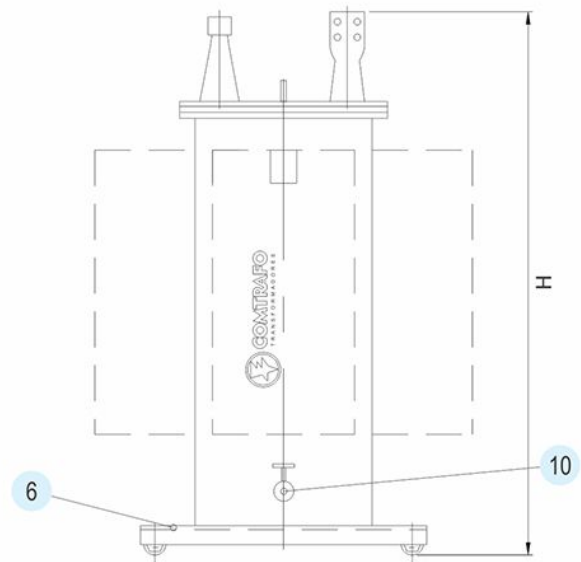
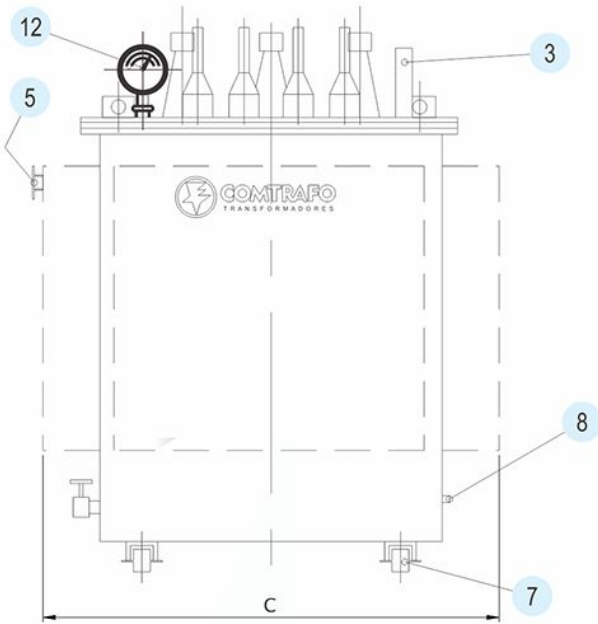


Compact Transformers



Technology Transforming Power

SEALED COMPACT TRANSFORMER BUSHINGS IN THE COVER FROM 225KVA TO 5000KVA

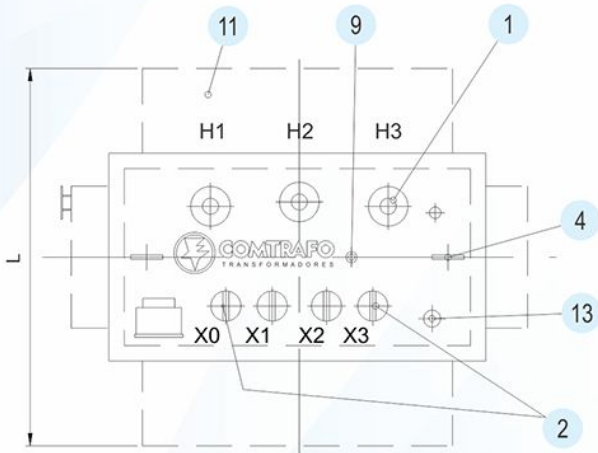


Legend:

- 01- HV bushings
- 02- LV bushing and neutral
- 03- Pressure relief valv
- 04- Device for suspension
- 05- Nameplate
- 06- Support base
- 07- Bidirectional wheels
- 08- Terminal for grounding
- 09- Tap changer operator
- 10- Drain valve, sample and filter press
- 11- Radiators

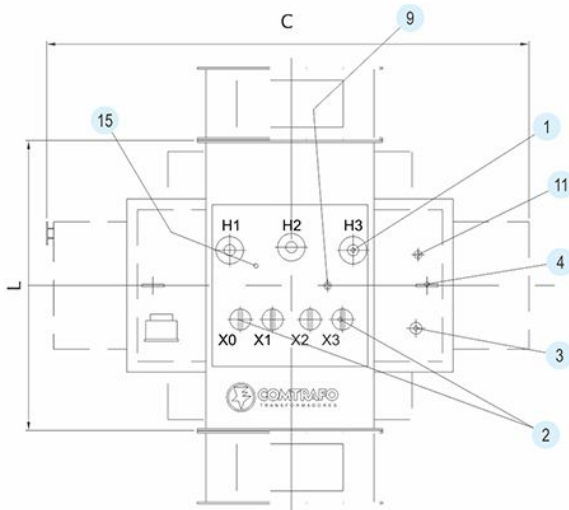
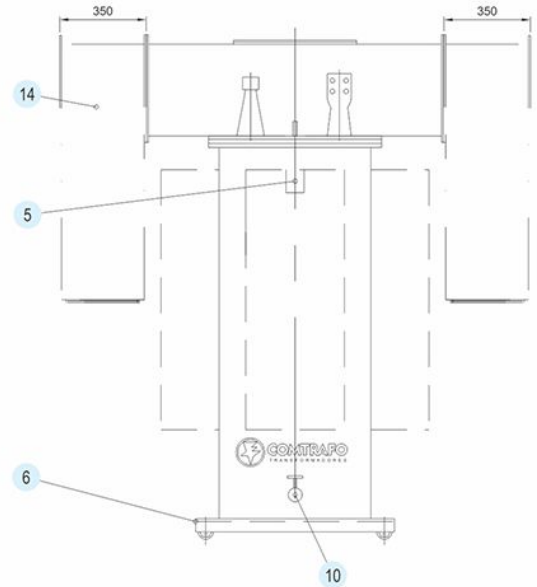
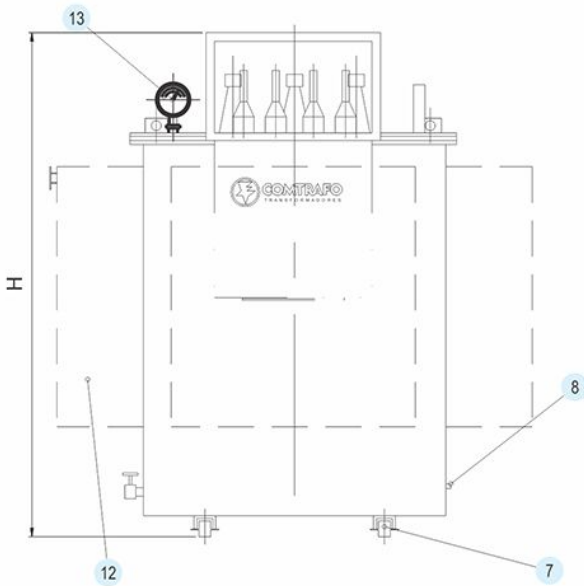
- Accesories
- 12- Oil thermometer
 - 13- Oil level indicator

Compact line corrugated



item	Range (kV)	Power (kVA)	Dimensions (mm)			Mass (Kg)
			C	L	H	
01	15	225	1100	910	1310	900
02		300	1380	830	1310	1040
03		500	1550	900	1530	1580
04		750	1650	930	1600	2100
05		1000	1720	980	1750	2400
06		1500	1900	1050	1900	3400
07		2000	2000	1150	1950	3950
08		2500	2150	1250	1980	4550
09		3000	2180	1300	2100	5300
10		3750	2260	1360	2200	6900
11	36	to 10000	on request			

SEALED COMPACT TRANSFORMER BUSHINGS IN THE COVER WITH PROTECTION COVER FROM 225 KVA TO 10000 KVA



Legend:

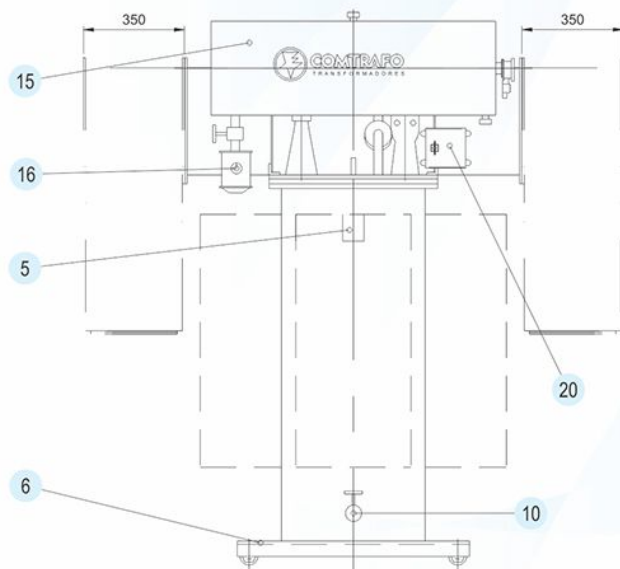
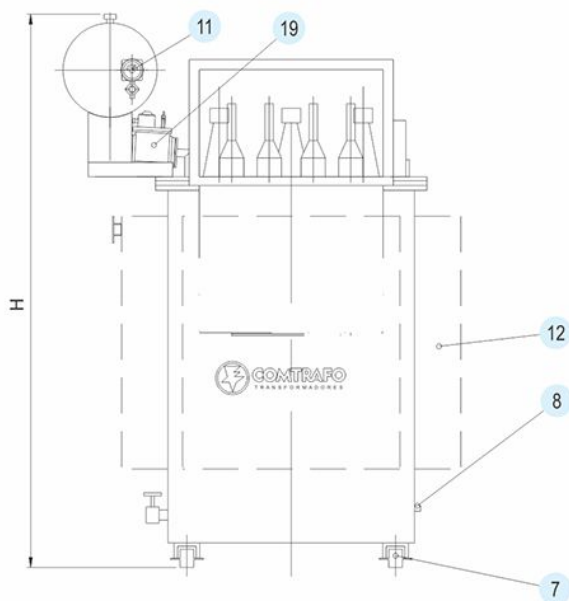
- 01- HV bushings
- 02- LV bushing and neutral
- 03- Pressure relief valv
- 04- Device for suspension
- 05- Nameplate
- 06- Support base
- 07- Bidirectional wheels
- 08- Terminal for grounding
- 09- Tap changer operator (external)
- 10- Valve drainage sample and filter press
- 11- Conection tube filters-press and filling
- 12- Radiators
- 13- Prediction for thermometer
- 14- Protection box for HV and LV for coupling frontal
- 15- Top cover

Compact line corrugated

item	Range (kV)	Power (kVA)	Dimensions (mm)			Mass (Kg)
			C	L	H	
01	15	225	1100	1000	1520	940
02		300	1380	930	1520	1080
03		500	1550	1000	1680	1630
04		750	1650	1030	1750	2150
05		1000	1720	1080	1900	2450
06		1500	1900	1150	2050	3450
07		2000	2000	1250	2100	4000
08		2500	2150	1350	2130	4610
09		3000	2180	1400	2250	5360
10		3750	2260	1460	2350	6970
11		36	to 10000	on request		

Guidance dimensions subject to change without prior notice.
Other information on request.

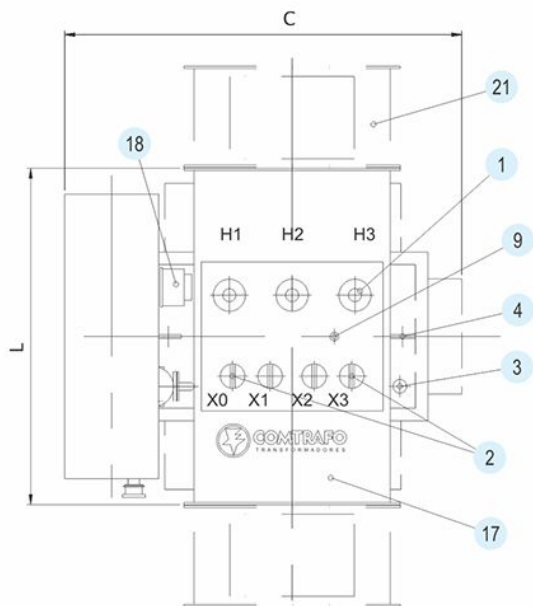
COMPACT TRANSFORMER WITH CONSERVATOR BUSHINGS IN THE COVER WITH PROTECTION BOX AND CONSERVATOR FROM 225KVA TO 10000KVA



Legend

- 01 - HV Bushings
- 02 - LV Bushing and neutral
- 03 - Pressure relief valve
- 04 - Eyelet for suspension
- 05 - Nameplate
- 06 - Base Support
- 07 - Bidirectional wheels
- 08 - Terminal for grounding
- 09 - External operator for tap changer
- 10 - Drainage valve and sample from insulating liquid
- 11 - Indicator level display
- 12 - Radiators
- 13 - Thermometer
- 14 - Junction box accessories
- 15 - Filling device for filter press

Compact line corrugated



item	Range (kV)	Power (kVA)	Dimensions (mm)			Mass (Kg)
			C	L	H	
01	15	225	1100	1000	1520	940
02		300	1380	930	1520	1080
03		500	1550	1000	1680	1630
04		750	1650	1030	1750	2150
05		1000	1720	1080	1900	2450
06		1500	1900	1150	2050	3450
07		2000	2000	1250	2100	4000
08		2500	2150	1350	2130	4610
09		3000	2180	1400	2250	5360
10		3750	2260	1460	2350	6970
11		36	to 10000	on request		

Guidance dimensions subject to change without prior notice.
Other information on request.

COMTRAFO S.A., a company of the COMTRAFO Group, follows a policy of continuous improvement in the improvement of its products. Therefore, this information catalog is subject to change without prior notice.

Line of Manufacture:

Transformers of dry distribution encapsulated in epoxy resin under high vacuum;

Distribution transformers oil insulated - hermetically sealed line;

Oil-insulated distribution transformers - Conventional line;

Distribution transformers oil insulated - Pedestal line;

Transformers and auto-transformers oil insulated - line Force;

Special transformers.



GRUPO
COMTRAFO



www.comtrafo.com.br



www.eletrotrafo.com.br